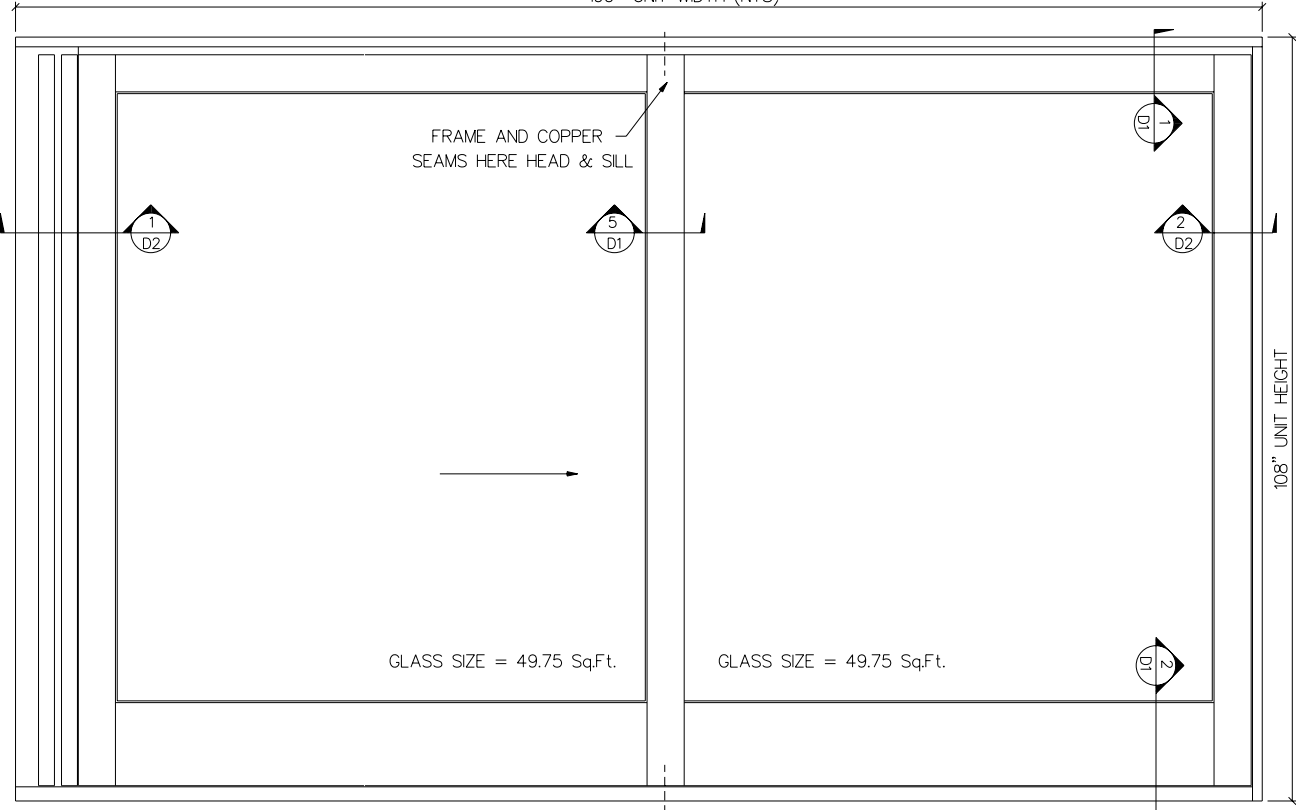
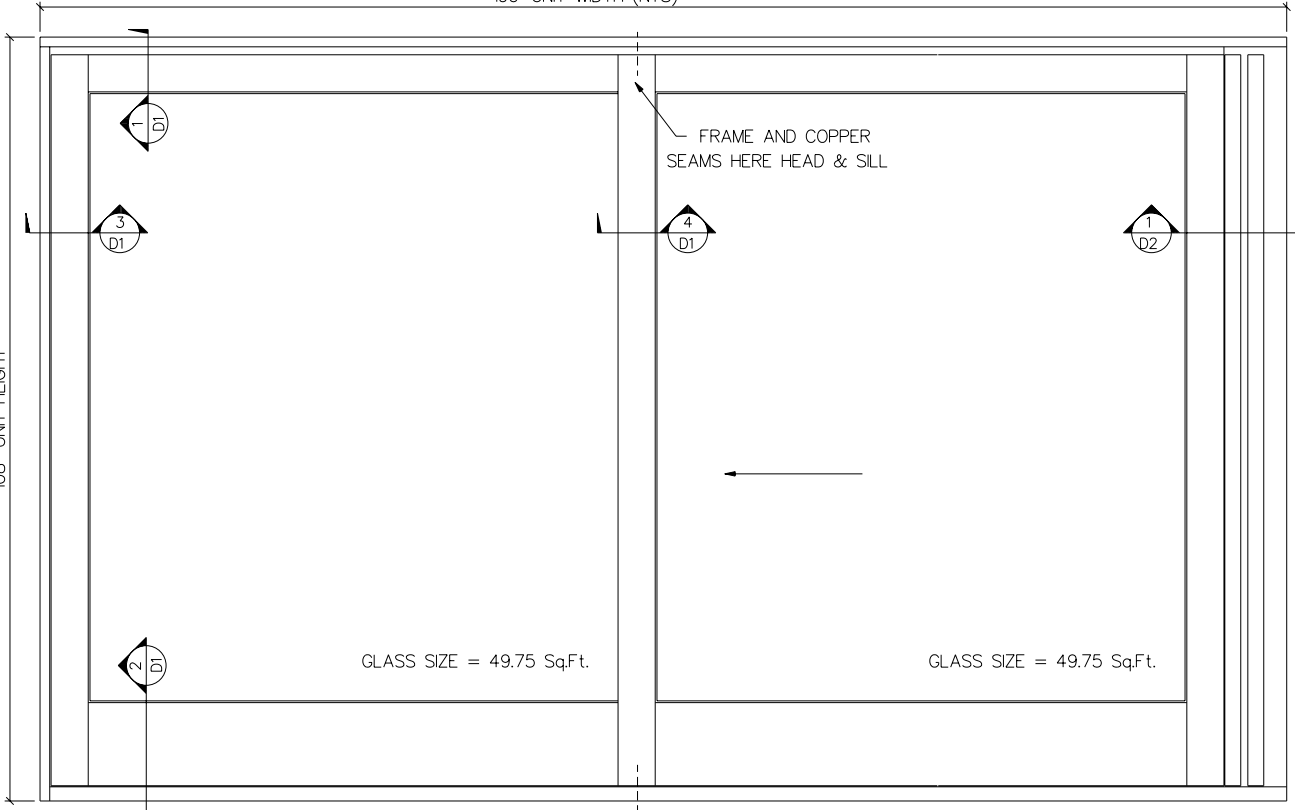


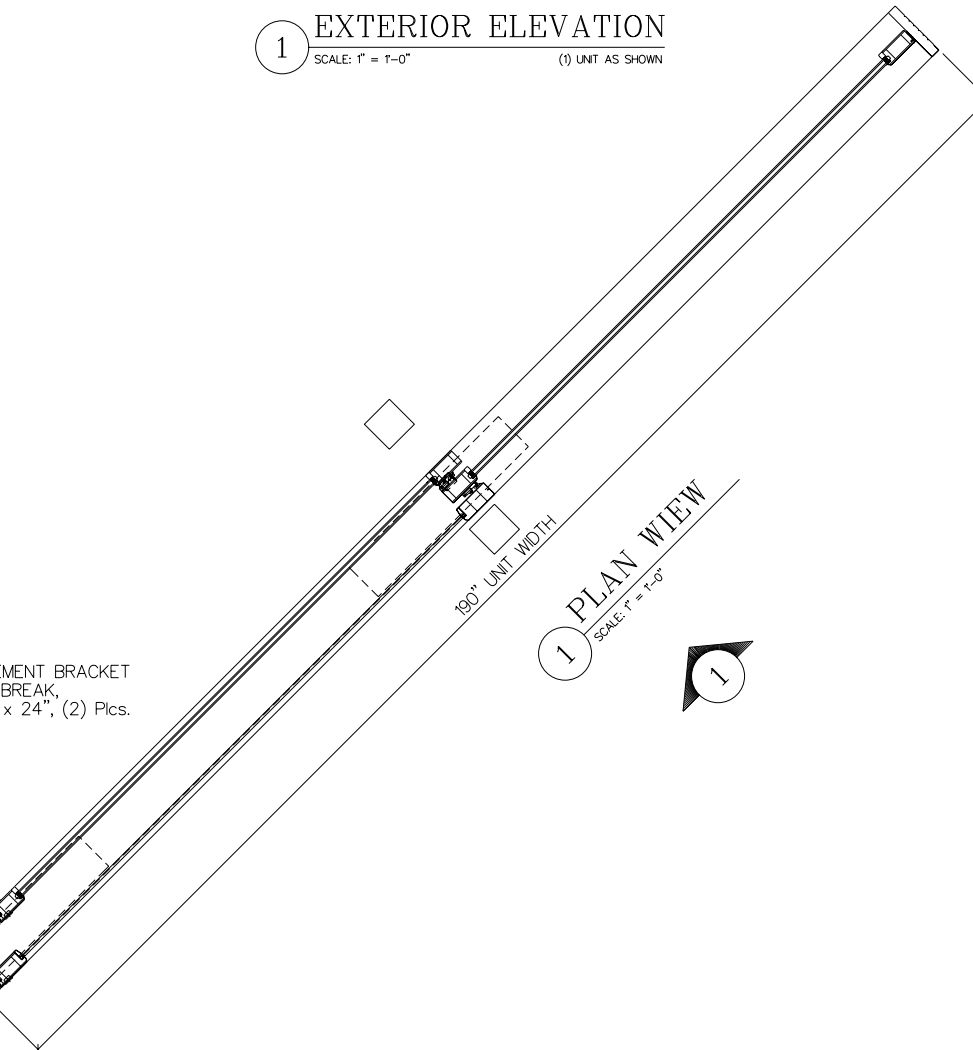
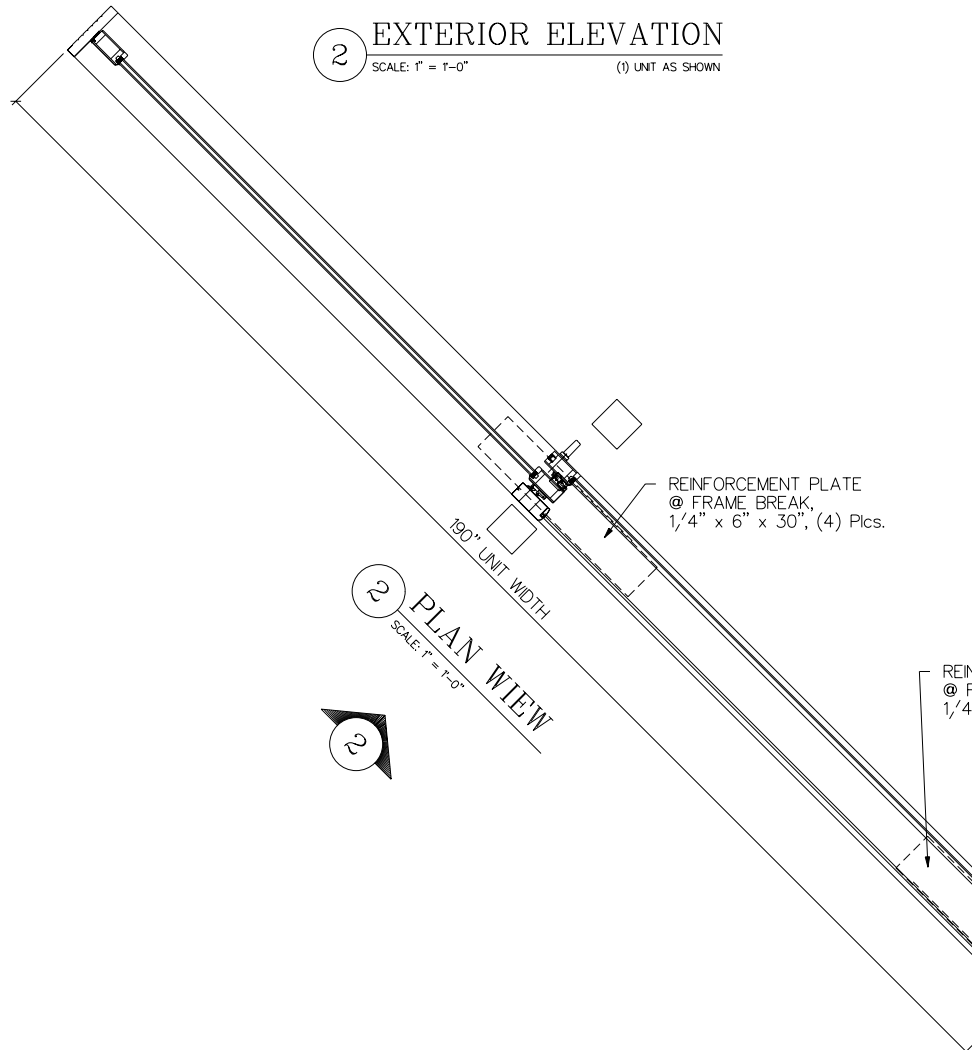
190" UNIT WIDTH (NTS)

190" UNIT WIDTH (NTS)



2 EXTERIOR ELEVATION
SCALE: 1" = 1'-0" (1) UNIT AS SHOWN

1 EXTERIOR ELEVATION
SCALE: 1" = 1'-0" (1) UNIT AS SHOWN



2 PLAN VIEW
SCALE: 1" = 1'-0"

1 PLAN VIEW
SCALE: 1" = 1'-0"

POINT FIVE
WINDOWS

REVISIONS	
7/17/01	WOW
9/19/01	WOW

POINT FIVE WINDOWS, INC. 1001 Buckingham Fort Collins, Colorado 80524 • (970) 482-6971	APPROVED BY:	EP
EXTERIOR ELEVATIONS	SCALE: 1" = 1'-0"	DATE: 6-27-01

DRAWING NUMBER: 00184-E1