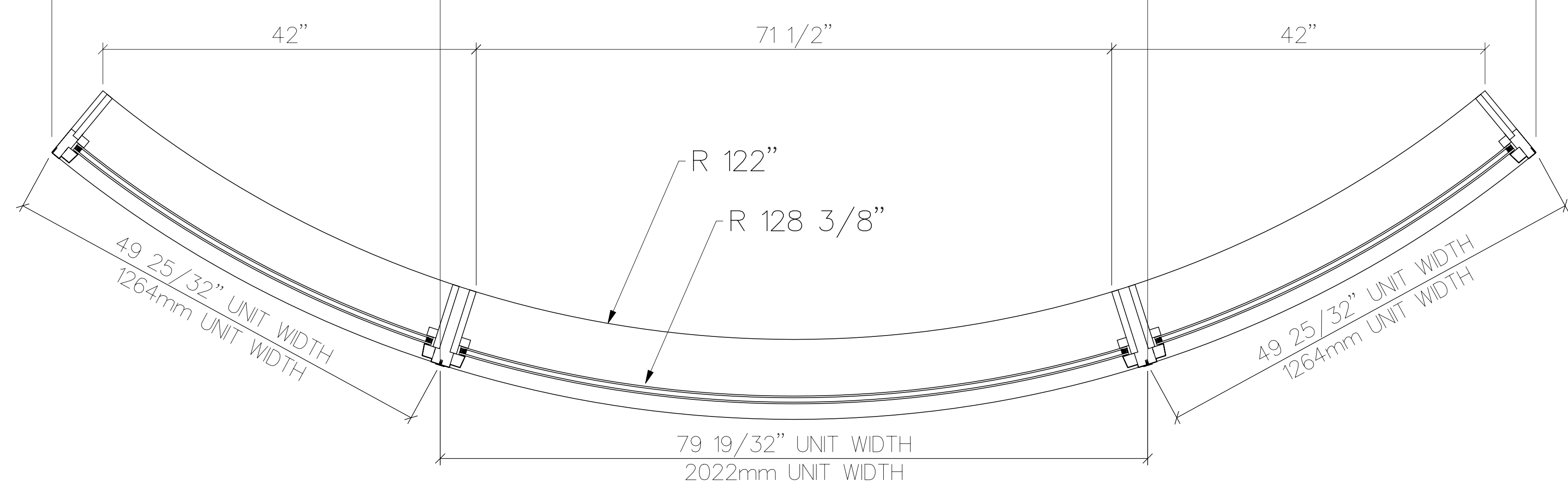


V EXTERIOR ELEVATION  
 SCALE: 1" = 1'-0" (1) OPENING @ MASTER BATH



V PLAN VIEW  
 SCALE: 1" = 1'-0"