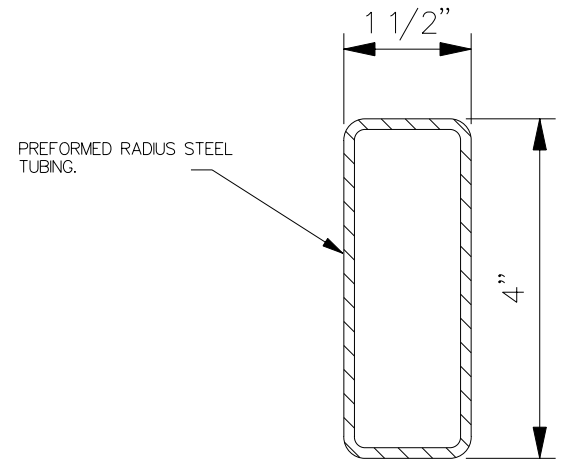
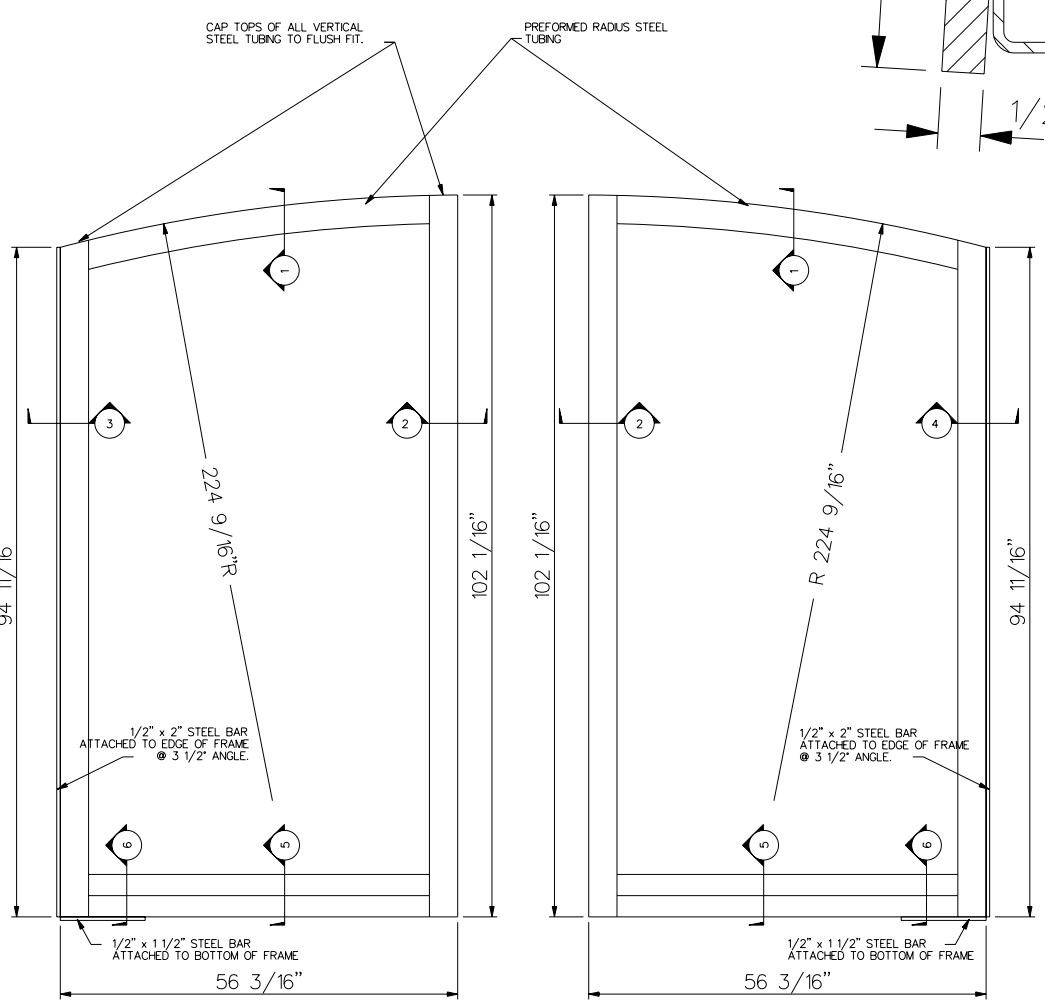
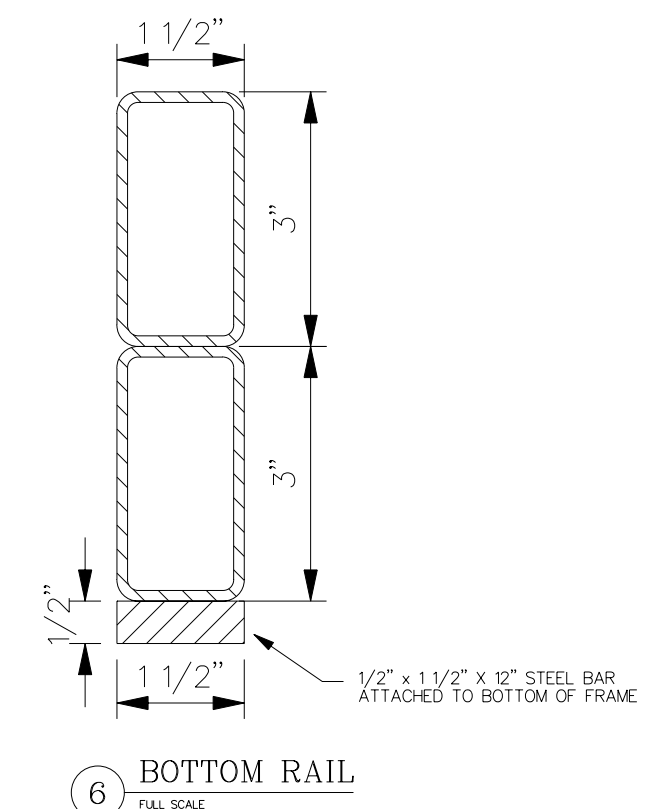
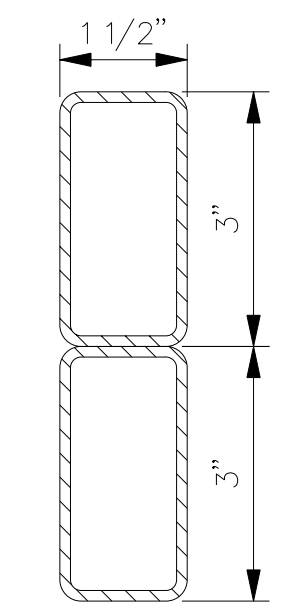
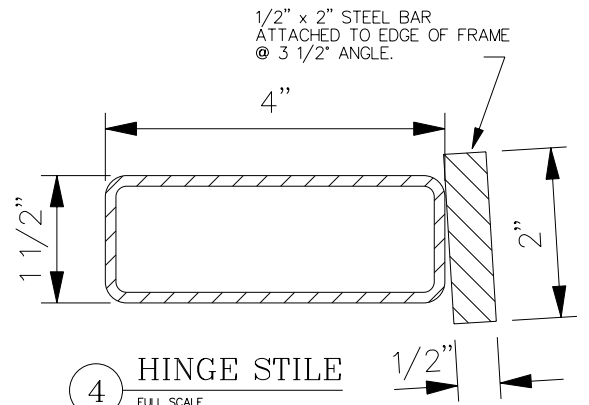
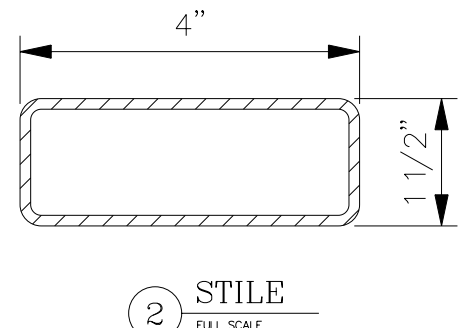
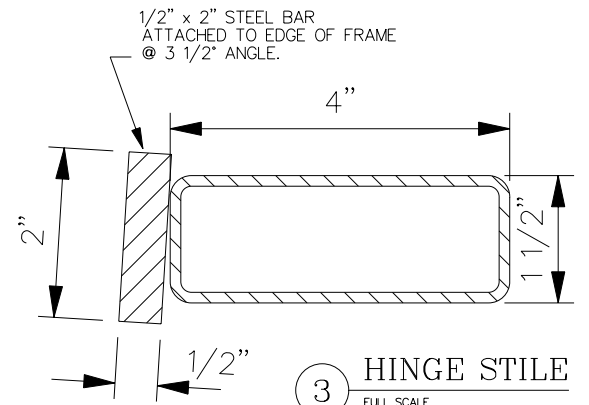


REQUIRED:
4 PAIRS OF
FRAMES AS SHOWN.



1 TOP RAIL
FULL SCALE

NOTE:
ALL STEEL TUBING
IS 1/8" WALL THICKNESS



L103A/L103B/M130A/M130B EXTERIOR ELEVATION
SCALE: 1" = 1'-0" (4) OPENINGS AS SHOWN

POINT FIVE
WINDOWS

REVISIONS:

| | |
|--|--|
| | |
| | |
| | |
| | |
| | |
| | |
| | |
| | |
| | |
| | |

POINT FIVE WINDOWS, INC.
1001 Buckingham • Fort Collins, Colorado 80524 • (970) 482-6971

SCALE: FULL
DATE: 10-25-99

APPROVED BY: JU
DRAWN BY: JU

DOR DETAILS

DRAWING NUMBER: _____